

Drilling. Dowelling. Everything under control.

HOMAG

Dowelhole drilling machine
DRILLTEQ C-100 – NBS 090

YOUR SOLUTION





Dowelhole drilling machine DRILLTEQ C-100 – NBS 090.

The DRILLTEQ C-100 – NBS 090 is an universal dowel drilling machine with a long range of equipment and has two tasks: drilling and dowelling with perfection.

ALL FROM ONE SOURCE FOR THE INDIAN MARKET



For all sales enquiries ring **+91 80 6837 4545**
If you have any questions or you are uncertain
as to who you should contact, please email us.
Info-India@homag.com

CONTENT

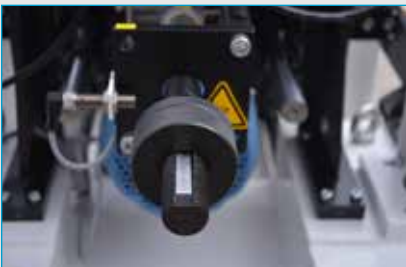
- 04 DRILLTEQ C-100 – NBS 090 – The multitalent
- 06 Technical data
- 07 Services

The Highlights

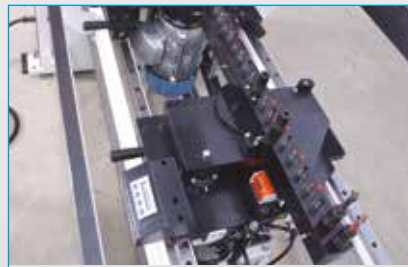
- Solid machine frame with 2 beam design
- Twin LM guide system for longitudinal traverse of vertical drill heads
- Highly precise drill blocks with 21 spindles
- Quick change collets system
- Continuous 32 mm pitch (also between the drilling blocks)
- Quick swivelling Vertical drilling blocks, fixing at: 0° - 90°
- 2.2 kW drilling motors with 2750 RPM
- Pneumatic cylinder 0100 mm strong drill feed
- 100 mm vertical and horizontal stroke
- 4 Independently working tilting stops
- 2 Swivelling stops on work support for narrow parts and strips
- 2 Clamping bridges with exchangeable counter-block
- Stop system extension for large workpieces and long row holes
- Large working area with extended scale



- Two vertical heads with digital readout for Longitudinal position



- User friendly horizontal depth adjustment



- Longitudinal traverse of vertical heads on high precision twin Linear motion Guideways



- Operator friendly control panel
Twin emergency Switches on control panel and beam



- Quick change collets for easy tool changing



- Swivel stops on work support for quick set up of long work pieces



- Sturdy steel fabricated and machined zero reference for repeated accuracy



▪ Quick swivelling vertical drillblocks 0° - 90°



▪ Twin clamps for effective job clamping

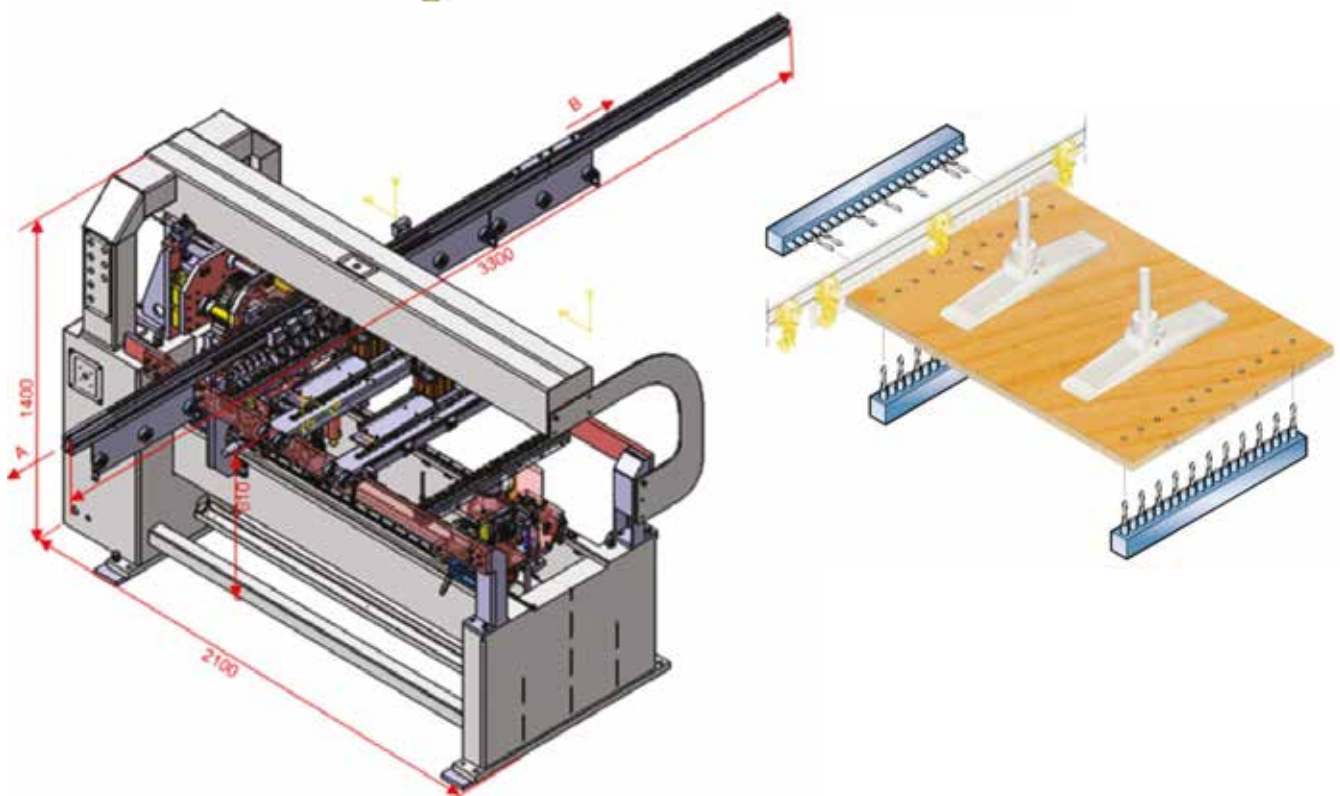
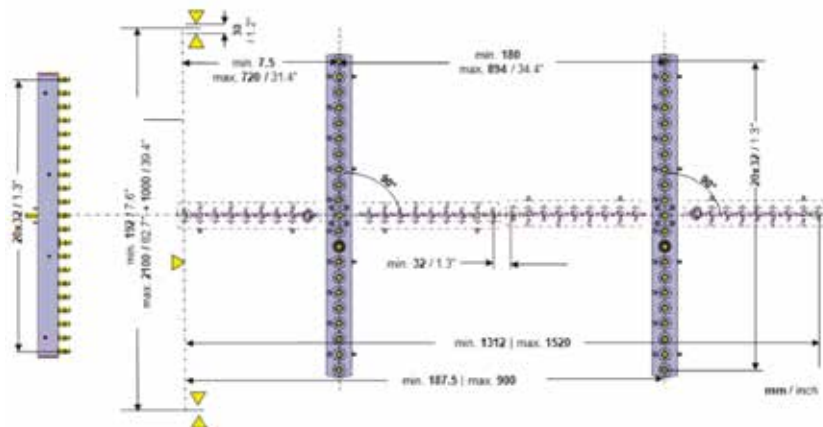


• Provision for hinge boring

DRILLTEQ C-100 – NBS 090

The multitalent for drilling operations

DRILLTEQ C-100			
Travel range X - Y - Z	900 - 3100 - 40 mm	Drilling stroke	95 mm
Workpiece width L-W	30 - 2000 mm	Connected Load	7 kw
Workpiece length	30 - 900 mm	Compressed air required	6 Kg/cm ²
Workpiece thickness	5 - 60 mm	Total machine weight	approx. 1100 kg
Drilling spindles, horizontal	21 Spindles	Machine dimation L-W(packaged)	approx. 2350 x 1200 mm
Drilling spindles, vertical	21 + 21 Spindles	Set-up area L-W	approx. 2100 x 3300 mm



Our Services

- Technical Support
- Field Technicians trained to the highest standards
- Routine Maintenance Programs
- Gluepot Repair Service
- Spare Parts
- Upgrades
- Remote Diagnostics

Please contact us at +91 80 6837 4545 or Info-India@homag.com for service and spare parts enquiries.

HC LIFE CYCLE SERVICES

Optimal service and individual consultations are included in the purchase of our machines. We support you with service innovations and products which are especially tailored to your requirements. With short response times and fast

customer solutions we guarantee consistently high availability and economical production – over the entire life cycle of your machine.



REMOTE SERVICE

- Hotline support via remote diagnosis by our trained experts regarding control, mechanics and process technology. Thus, more than 90% less on-site service required and consequently a faster solution for you!
- The ServiceBoard App helps to solve tasks in a fast, simple and concrete way. This is achieved by mobile live video diagnosis, automatic sending of service requests or the online spare parts catalog eParts.



SPARE PARTS SERVICE

- High spare parts availability and fast delivery.
- Ensuring quality by predefined spare parts and wear parts kits, comprising original spare parts.
- Identify and inquire for spare parts online under www.eParts.de 24/7, or buy even faster and more comfortably in the new HOMAG Webshop eCommerce.



FIELD SERVICE

- Increased machine availability and product quality by certified service staff.
- Regular checks through maintenance / inspection guarantee the highest quality of your products.
- We offer you the highest availability of technicians in order to reduce downtimes in case of unpredictable troubles.

HOMAG India Pvt. Ltd.

Info-India@homag.com

www.homag.com



YOUR SOLUTION